

# BENNER ALUMINUM CEILING



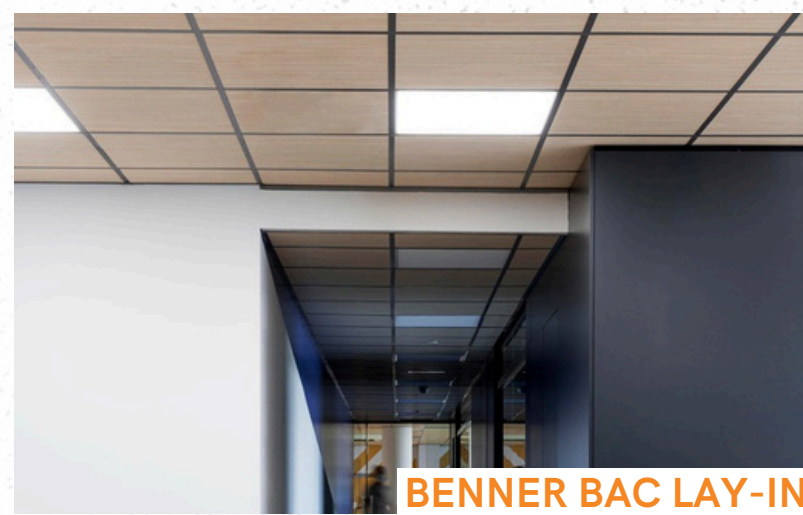
Lay-In

Clip-In

Alu-Baffle

Linear Panels





**BENNER BAC LAY-IN**



**BENNER BAC CLIP-IN**



**BENNER BAC C-SHAPE**



**BENNER BAC G-SHAPE**



**BENNER BAC C-85**



**BENNER ALU-Baffle**

Our exceptional selection includes a wide range of innovative and environmentally friendly acoustic ceiling solutions. All our models offer a unique combination of functional and aesthetic features designed to accommodate a wide range of architectural needs.

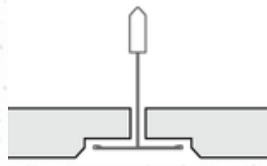
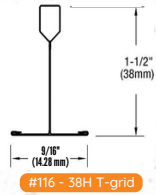
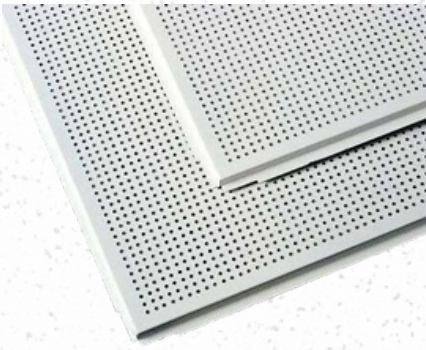
We accomplish the highest performances:



These products has the following features:



# BENNER BAC LAY-IN

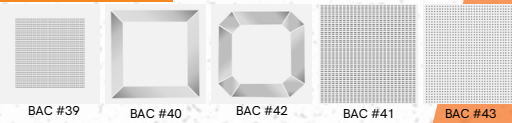


Beveled Tegular Edge

ITEM	Qty / Box	Width	Length	ASTM Classification	NRC	CAC	Fire Performance	Light Reflectance Value (LRV)	Humidity Resistance	Microbial Resistance	Recycled Content	Air Quality	Soundtex Tissue	Perforated	Suspension System
6110	20	24"	24"	Type III	0.75	40	Class A	0.83	Very High	Very High	Yes	Very High	Yes	Yes	T-Grid 15/16"
6111	20	24"	24"	Type III	0.10	40	Class A	0.83	Very High	Very High	Yes	Very High	Yes	No	T-Grid 15/16"
6112	20	24"	24"	Type III	0.75	40	Class A	0.83	Very High	Very High	Yes	Very High	Yes	Yes	T-Grid 15/16"
6113	20	24"	24"	Type III	0.10	40	Class A	0.83	Very High	Very High	Yes	Very High	Yes	No	T-Grid 15/16"
6114	20	24"	24"	Type III	0.75	40	Class A	0.83	Very High	Very High	Yes	Very High	Yes	Yes	T-Grid 15/16"
6115	20	24"	24"	Type III	0.10	40	Class A	0.83	Very High	Very High	Yes	Very High	Yes	No	T-Grid 15/16"
6116	20	24"	24"	Type III	0.75	40	Class A	0.83	Very High	Very High	Yes	Very High	Yes	Yes	T-Grid 15/16"
6117	20	24"	24"	Type III	0.10	40	Class A	0.83	Very High	Very High	Yes	Very High	Yes	No	T-Grid 15/16"
6118	20	24"	24"	Type III	0.75	40	Class A	0.83	Very High	Very High	Yes	Very High	Yes	Yes	T-Grid 15/16"
6119	20	24"	24"	Type III	0.10	40	Class A	0.83	Very High	Very High	Yes	Very High	Yes	No	T-Grid 15/16"

MOQ: 25 BOXES (500 PIECES)

### TILE PATTERNS

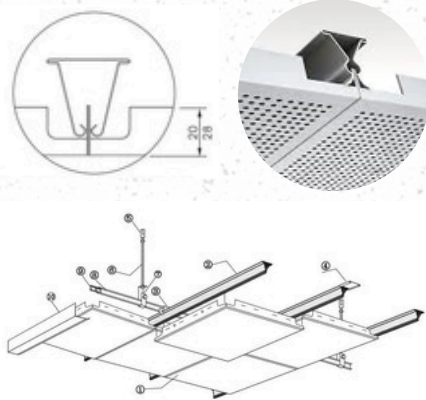


Code	Type	Dimension
#116-38H T-grid (15/16 SYSTEM)	Main T	1 1/2" x 15/16" x 144"
	Cross T	1 1/2" x 15/16" x 24" 1 1/2" x 15/16" x 48"
#116-38H T-grid (9/16 SYSTEM)	Main T	1 1/2" x 9/16" x 144"
	Cross T	1 1/2" x 9/16" x 24" 1 1/2" x 9/16" x 48"
Wall Molding	L shape	25/32" x 25/32" x 142"

Color



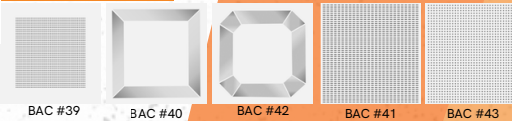
# BENNER BAC CLIP-IN



ITEM	Qty / Box	Width	Length	ASTM Classification	NRC	CAC	Fire Performance	Light Reflectance Value (LRV)	Humidity Resistance	Microbial Resistance	Recycled Content	Air Quality	Soundtex Tissue	Perforated	Suspension System
6210	20	24"	24"	Type III	0.75	40	Class A	0.83	Very High	Very High	Yes	Very High	Yes	Yes	Clip-In
6211	20	24"	24"	Type III	0.10	40	Class A	0.83	Very High	Very High	Yes	Very High	Yes	No	Clip-In
6212	20	24"	24"	Type III	0.75	40	Class A	0.83	Very High	Very High	Yes	Very High	Yes	Yes	Clip-In
6213	20	24"	24"	Type III	0.10	40	Class A	0.83	Very High	Very High	Yes	Very High	Yes	No	Clip-In
6214	20	24"	24"	Type III	0.75	40	Class A	0.83	Very High	Very High	Yes	Very High	Yes	Yes	Clip-In
6215	20	24"	24"	Type III	0.10	40	Class A	0.83	Very High	Very High	Yes	Very High	Yes	No	Clip-In
6216	20	24"	24"	Type III	0.75	40	Class A	0.83	Very High	Very High	Yes	Very High	Yes	Yes	Clip-In
6217	20	24"	24"	Type III	0.10	40	Class A	0.83	Very High	Very High	Yes	Very High	Yes	No	Clip-In
6218	20	24"	24"	Type III	0.75	40	Class A	0.83	Very High	Very High	Yes	Very High	Yes	Yes	Clip-In
6219	20	24"	24"	Type III	0.10	40	Class A	0.83	Very High	Very High	Yes	Very High	Yes	No	Clip-In
6220	20	24"	24"	Type III	0.10	40	Class A	0.83	Very High	Very High	Yes	Very High	Yes	Yes	Clip-In
6221	20	24"	72"	Type III	0.10	40	Class A	0.83	Very High	Very High	Yes	Very High	Yes	Yes	Clip-In

MOQ: 25 BOXES (500 PIECES)

### TILE PATTERNS



Code	Type	Dimension
BAC 45	38# GA.20 Rolled Channel	1 1/2" x 144"
	Tee Carrier	1 1/2" x 120"
Wall Molding	L shape	7/8" x 7/8" x 142"

Color

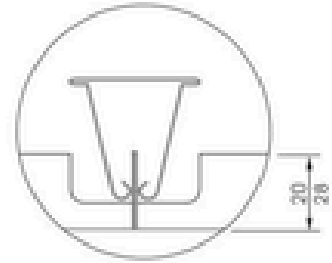
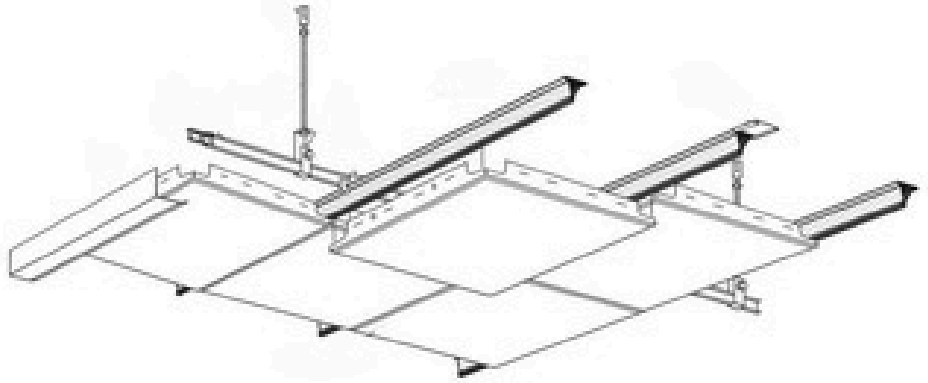
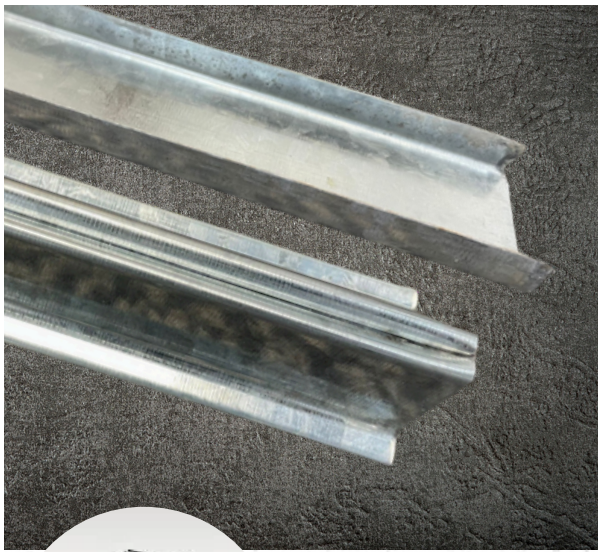


### References:

- Noise Reduction Coefficient (NRC) - ASTM C423 / Classified with UL Label
- Ceiling Attenuation Class (CAC) - ASTM E1414 / Classified with UL Label
- Fire resistance - ASTM E84 / Flame Spread - ASTM E1264
- Light Reflectance - ASTM E1477
- Humidity Resistance (HR) - ASTM C367
- Microbial Resistance (MR) - ASTM D6329
- Air Quality Standards - ASTM D5116



# CLIP - IN



Profile	ITEM	Qty / Box	Thickness	Width	Length	Heavy Duty category (ASTM C635)	Compression / Tension	Galvanised steel	Expose System	Recycled Content
Clip In - BAC 45 - Panel Carrier	5310	20	7/8"	1-1/2"	120"	Yes	N/A	Yes	No	Yes
Clip-In Hanger	5331	100	--	7/8"	3-7/8"	Yes	N/A	Yes	No	Yes
38# GA20 Rolled Channel	5317	20	3/8"	1-1/2"	144"	Yes	N/A	Yes	No	Yes
Panel Carrier Connector	5326	100	1/4"	1-1/2"	2-1/4"	Yes	N/A	Yes	No	Yes

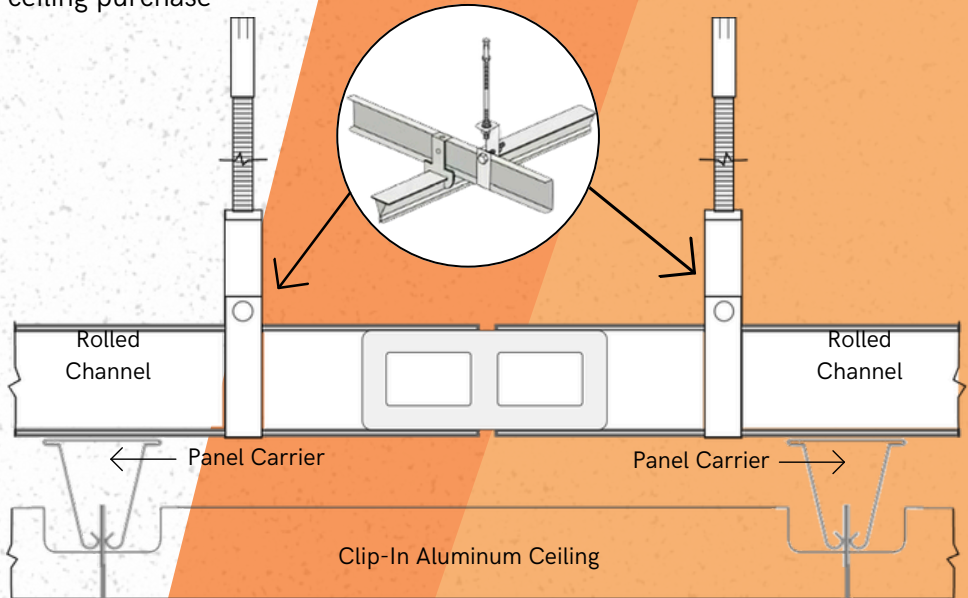
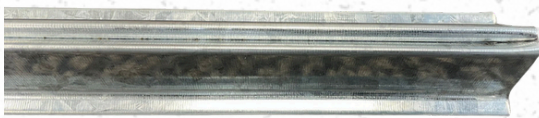
\*included in the ceiling purchase

## Components

Rolled Channel



Clip-In Panel Carrier

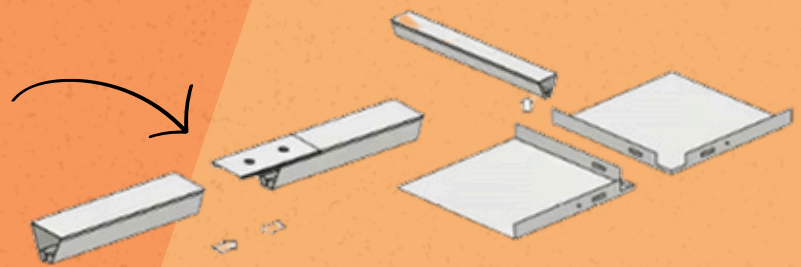
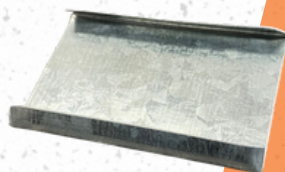


## Accessories

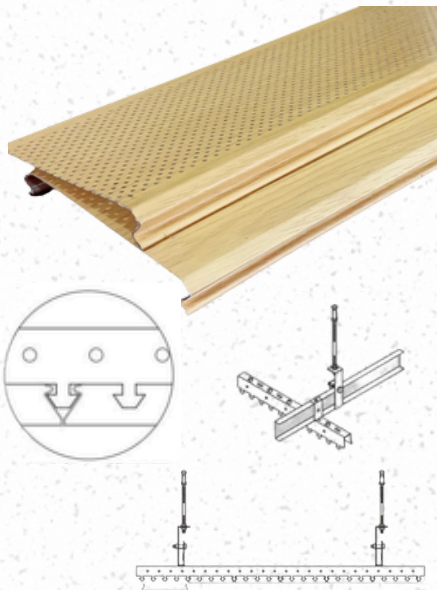
Clip-In Hanger



Panel Carrier Connector



# BENNER BAC C-SHAPE



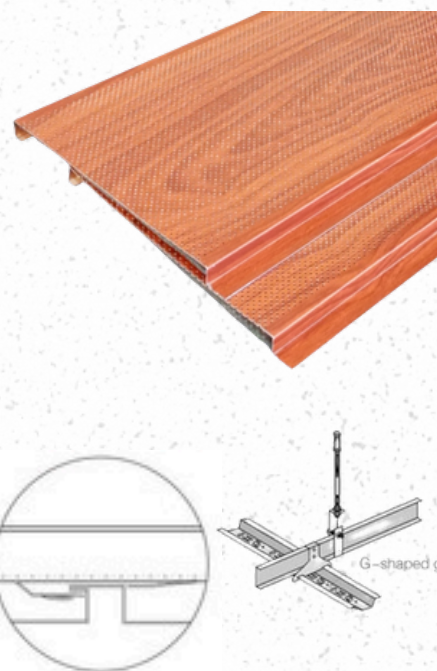
ITEM	Qty / Box	Width	Length	ASTM Classification	NRC	CAC	Fire Performance	Light Reflectance Value (LRV)	Humidity Resistance	Microbial Resistance	Recycled Content	Air Quality	Soundtex Tissue	Perforated	Suspension System
6310	20	4"	12'	Type III	0.75	40	Class A	0.83	Very High	Very High	Yes	Very High	Yes	Yes	C-shape
6311	20	4"	12'	Type III	0.10	40	Class A	0.83	Very High	Very High	Yes	Very High	Yes	No	C-shape
6316	20	4"	12'	Type III	0.75	40	Class A	0.83	Very High	Very High	Yes	Very High	Yes	Yes	C-shape
6317	20	4"	12'	Type III	0.10	40	Class A	0.83	Very High	Very High	Yes	Very High	Yes	No	C-shape
6318	20	4"	12'	Type III	0.75	40	Class A	0.83	Very High	Very High	Yes	Very High	Yes	Yes	C-shape
6319	20	4"	12'	Type III	0.10	40	Class A	0.83	Very High	Very High	Yes	Very High	Yes	No	C-shape

MOQ: 25 BOXES (500 PIECES)

Code	Type	Dimension
BAC 48	38# GA.20 Rolled Channel	1 1/2" x 144"
	CS Panel Carrier	1 1/2" x 120"
Wall Molding	L shape	7/8" x 7/8" x 142"



# BENNER BAC G-SHAPE



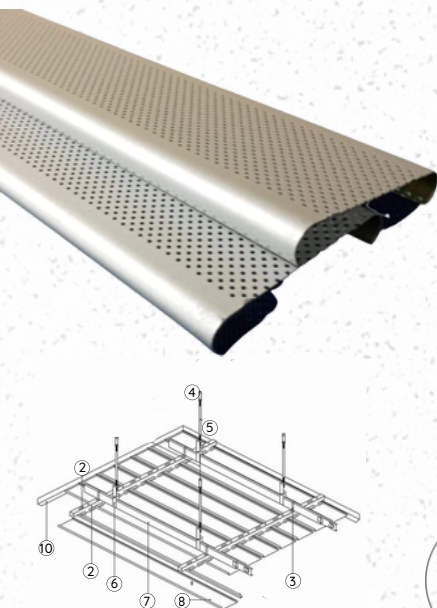
ITEM	Qty / Box	Width	Length	ASTM Classification	NRC	CAC	Fire Performance	Light Reflectance Value (LRV)	Humidity Resistance	Microbial Resistance	Recycled Content	Air Quality	Soundtex Tissue	Perforated	Suspension System
6410	20	4"	12'	Type III	0.75	40	Class A	0.83	Very High	Very High	Yes	Very High	Yes	Yes	G-shape
6416	20	4"	12'	Type III	0.75	40	Class A	0.83	Very High	Very High	Yes	Very High	Yes	Yes	G-shape
6417	20	4"	12'	Type III	0.10	40	Class A	0.83	Very High	Very High	Yes	Very High	Yes	No	G-shape
6418	20	4"	12'	Type III	0.75	40	Class A	0.83	Very High	Very High	Yes	Very High	Yes	Yes	G-shape
6419	20	4"	12'	Type III	0.10	40	Class A	0.83	Very High	Very High	Yes	Very High	Yes	No	G-shape

MOQ: 25 BOXES (500 PIECES)

Code	Type	Dimension
BAC 50	38# GA.20 Rolled Channel	1 1/2" x 144"
	GS Panel Carrier	1 1/2" x 120"
Wall Molding	L shape	7/8" x 7/8" x 142"



# BENNER BAC C-85



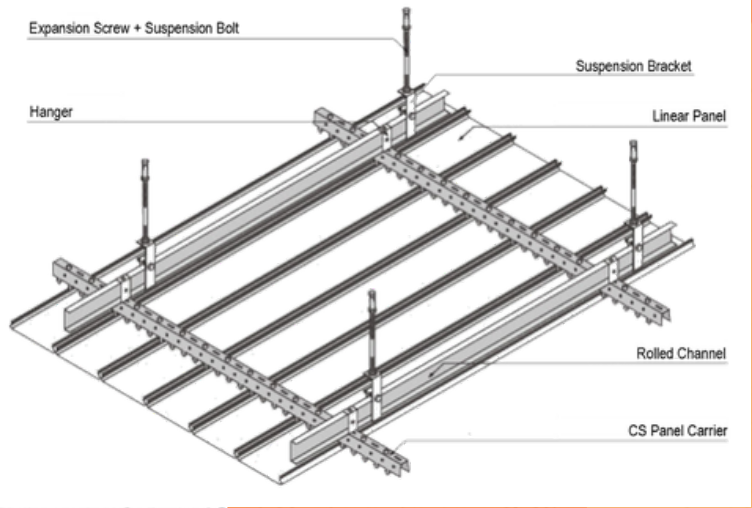
ITEM	Qty / Box	Width	Length	ASTM Classification	NRC	CAC	Fire Performance	Light Reflectance Value (LRV)	Humidity Resistance	Microbial Resistance	Recycled Content	Air Quality	Soundtex Tissue	Perforated	Suspension System
6510	20	4"	12'	Type III	0.75	40	Class A	0.83	Very High	Very High	Yes	Very High	Yes	Yes	C85
6511	20	4"	12'	Type III	0.10	40	Class A	0.83	Very High	Very High	Yes	Very High	Yes	No	C85
6512	20	4"	12'	Type III	0.75	40	Class A	0.83	Very High	Very High	Yes	Very High	Yes	Yes	C85
6513	20	4"	12'	Type III	0.10	40	Class A	0.83	Very High	Very High	Yes	Very High	Yes	No	C85
6514	20	4"	12'	Type III	0.75	40	Class A	0.83	Very High	Very High	Yes	Very High	Yes	Yes	C85
6515	20	4"	12'	Type III	0.10	40	Class A	0.83	Very High	Very High	Yes	Very High	Yes	No	C85

MOQ: 25 BOXES (500 PIECES)

Code	Type	Dimension
C-85	38# GA.20 Rolled Channel	1 1/2" x 144"
	G85 Panel Carrier	1 1/2" x 120"
Wall Molding	L shape	7/8" x 7/8" x 142"



# LINEAR PANELS



All linear panel systems use the same rolled channel and fastening elements. They only differ in the type of main carrier, which is the profile that carries the decorative panel.

## Components

### Rolled Channel



### C-Shape Panel Carrier



### G-Shape Panel Carrier



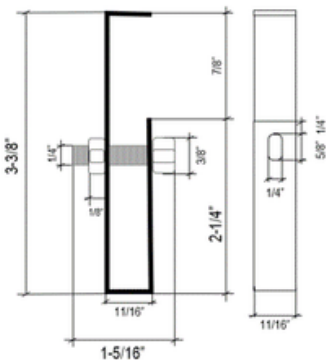
### C-85 / V-85 Panel Carrier



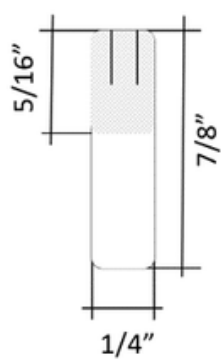
Profile	ITEM	Qty / Box	Thickness	Width	Length	Heavy Duty category (ASTM C635)	Compression / Tension	Galvanised steel	Expose System	Recycled Content
Linear C-Shape - BAC 48 - Panel Carrier	5313	20	7/8"	1-1/2"	120"	Yes	N/A	Yes	No	Yes
Linear G-Shape - BAC 50 - Panel Carrier	5314	20	7/8"	1-1/2"	120"	Yes	N/A	Yes	No	Yes
Linear C85 Panel Carrier	5315	20	7/8"	1-1/2"	120"	Yes	N/A	Yes	No	Yes
Linear V85 Panel Carrier	5316	20	7/8"	1-1/2"	120"	Yes	N/A	Yes	No	Yes
38# GA20 Rolled Channel	5317	20	3/8"	1-1/2"	144"	Yes	N/A	Yes	No	Yes
<b>Accessories</b>										
Expansion Screw	5320	100	--	3/8"	--	Yes	N/A	Yes	No	Yes
Suspension Bolt	5321	100	--	3/8"	1-5/16"	Yes	N/A	Yes	No	Yes
T-Grid Hanger	5322	100	--	7/8"	3-7/8"	Yes	N/A	Yes	No	Yes
C-Shape Hanger	5332	100	--	7/8"	3-7/8"	Yes	N/A	Yes	No	Yes
G-Shape Hanger	5333	100	--	7/8"	3-7/8"	Yes	N/A	Yes	No	Yes
C-58/V-85 Hanger	5334	100	--	7/8"	3-7/8"	Yes	N/A	Yes	No	Yes
38# Main Carrier Suspension Bracket	5323	50	--	7/8"	3-7/8"	Yes	N/A	Yes	No	Yes
Main Carrier Connector	5326	20	--	1-7/16"	4-1/8"	Yes	N/A	Yes	No	Yes
Anchor	5329	20	--	3/8"	7/8"	Yes	N/A	Yes	No	Yes
Linear Panel coupling unit	5330	100	3/8"	3-3/4"	4"	Yes	N/A	Yes	No	Yes

## Accessories

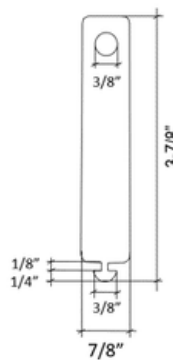
\*included in the ceiling purchase



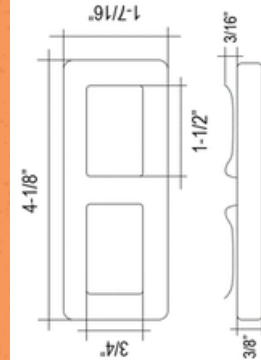
Suspension Bracket



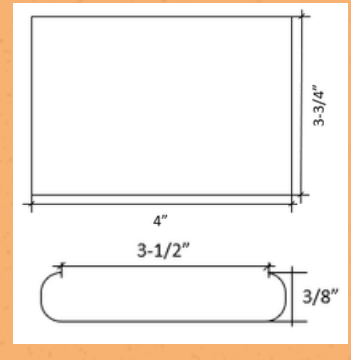
Anchor



Hanger



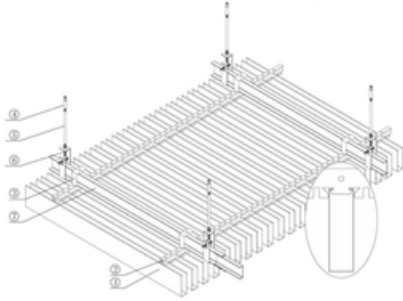
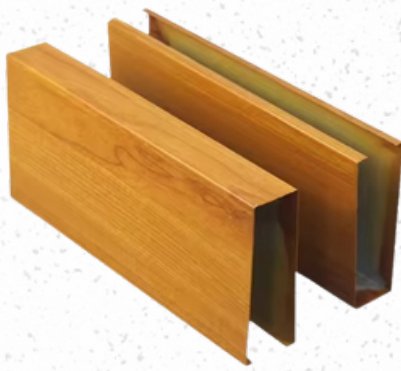
Main Carrier Connector



Linear Panel Coupling Unit



# BENNER ALU-BAFFLE



ITEM	Qty / Box	Width	Heights	Length	ASTM Classification	NRC	CAC	Fire Performance	Light Reflectance Value (LRV)	Humidity Resistance	Microbial Resistance	Recycled Content	Air Quality	Soundtex Tissue	Perforated	Suspension System
6601	20	25 mm (0.98")	50 mm (1.97")	1000 mm (3.28') 3000 mm (9.84')	Shape	NP - 0.10	40	Class A	0.83	Very High	Very High	Very High	Yes	Yes	No	38 HD AB
6602	20	30 mm (1.18")	39 mm (1.54")	1000 mm (3.28') 3000 mm (9.84')	Shape	NP - 0.10	40	Class A	0.83	Very High	Very High	Very High	Yes	Yes	No	38 HD AB
6603	20	40 mm (1.57")	50 mm (1.97")	1000 mm (3.28') 3000 mm (9.84')	Shape	NP - 0.10	40	Class A	0.83	Very High	Very High	Very High	Yes	Yes	No	38 HD AB
6604	20	50 mm (1.97")	50 mm (1.97")	1000 mm (3.28') 3000 mm (9.84')	Shape	NP - 0.10	40	Class A	0.83	Very High	Very High	Very High	Yes	Yes	No	38 HD AB
6605	20	100 mm (3.94")	100 mm (3.94")	1000 mm (3.28') 3000 mm (9.84')	Shape	NP - 0.10	40	Class A	0.83	Very High	Very High	Very High	Yes	Yes	No	38 HD AB

MOQ: 25 BOXES (500 PIECES)

Code	Type	Dimension
BAC 48	38# GA.20 Rolled Channel	1 1/2" x 144"
	CS Panel Carrier	1 1/2" x 120"
Wall Molding	L shape	7/8" x 7/8" x 142"

Aluminum Baffle Linear Panels available heights options:	
6601 - Alu-Baffle 25	60 mm (2.36")
	70 mm (2.76")
	80 mm (3.15")
	90 mm (3.54")
6602 - Alu-Baffle 30	45 mm (1.77")
	60 mm (2.36")
	80 mm (3.15")
	90 mm (3.54")
6603 - Alu-Baffle 40	60 mm (2.36")
	70 mm (2.76")
	80 mm (3.15")
	90 mm (3.54")
6604 - Alu-Baffle 50	60 mm (2.36")
	70 mm (2.76")
	80 mm (3.15")
	90 mm (3.54")
6605 - Alu-Baffle 100	60 mm (2.36")
	70 mm (2.76")
	80 mm (3.15")
	90 mm (3.54")

## COLOR OPTIONS:

Standard color:



Specialty colors:



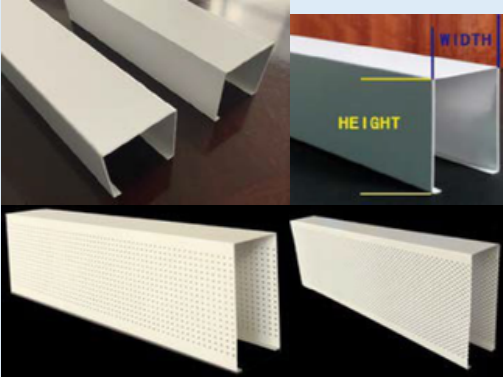

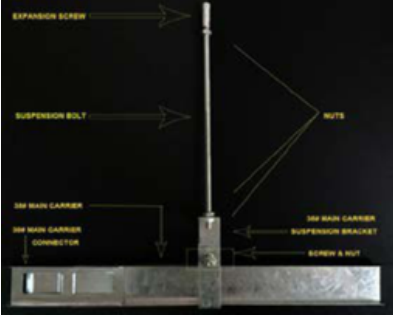
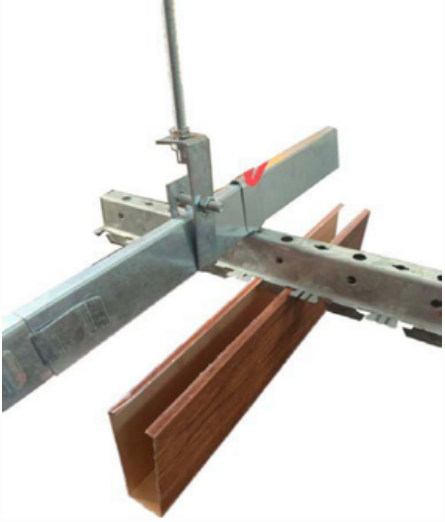
Specialty colors are subject to a 5,000 square foot minimum purchase. They have no guarantee on color.

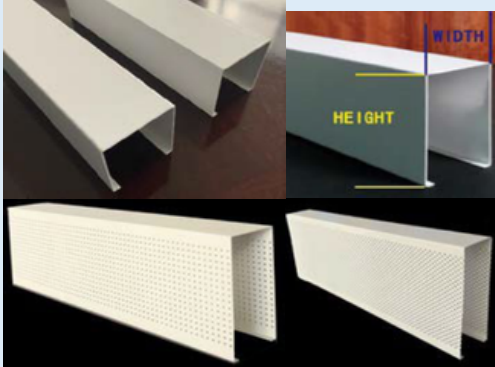

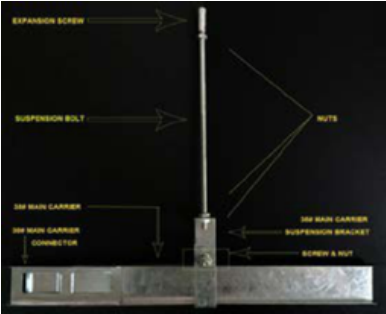
# SPECIALTY COLORS



Color



(1) No.	Name of Commodity and Specifications	photos
A	<b>Aluminum cold rolled baffle ceiling, plain non-perforation, no caps, standard 2.9M/PC or 3m/pc, panel only</b>	
a	25mm width, 100mm height, powder coating white color finished thickness 0.9mm, plain	
b	25mm width, 100mm height, prepainted wood color finished thickness 0.8mm, plain, with film	
c	25mm width, 100mm height, powder coating white color finished thickness 0.9mm, side perforated dia 1.8mm in dagonal or straight line, no tissue	
d	25mm width, 100mm height, prepainted wood color finished thickness 0.8mm, side perforated dia 1.8mm in dagonal or straight line, no tissue, with film	
2	<b>accessories</b>	
a	Strip Panel carrier, 1.2m/sqm, 3m/pc, in metal color	
b	Strip Panel Suspension bracket, 2pcs/sqm	
c	Ø6mm suspension bolt, 1m/pc, 1m/sqm	
d	Ø6mm expansion screw, 1pc/sqm	
e	Ø6mm nut, 3pcs/sqm	
f	Ø6mm screw and nut, 1set/sqm	
g	38 # main carrier suspension bracket, 1pc/sqm	
h	38 # main carrier connector, 0.4pc/sqm	
i	38 # main carrier, 1m/sqm, 3m/pc	
		

(1) No.	Name of Commodity and Specifications	photos
A	<b>Aluminum cold rolled baffle ceiling, plain non-perforation, no caps, standard 2.9M/PC or 3m/pc, panel only</b>	
a	25mm width, 150mm height, powder coating white color finished thickness 0.9mm, plain	
b	25mm width, 150mm height, prepainted wood color finished thickness 0.8mm, plain. with film	
c	25mm width, 150mm height, powder coating white color finished thickness 0.9mm, side perforated dia 1.8mm in dagonal or straight line, no tissue	
d	25mm width, 150mm height, prepainted wood color finished thickness 0.8mm, side perforated dia 1.8mm in dagonal or straight line, no tissue. with film	
2	<b>accessories</b>	
a	Strip Panel carrier, 1.2m/sqm, 3m/pc, in metal color	
b	Strip Panel Suspension bracket, 2pcs/sqm	
c	Ø6mm suspension bolt, 1m/pc, 1m/sqm	
d	Ø6mm expansion screw, 1pc/sqm	
e	Ø6mm nut, 3pcs/sqm	
f	Ø6mm screw and nut, 1set/sqm	
g	Ø38 # main carrier suspension bracket, 1pc/sqm	
h	Ø38 # main carrier connector, 0.4pc/sqm	
i	Ø38 # main carrier, 1m/sqm, 3m/pc	
	