

Technical Data Sheet

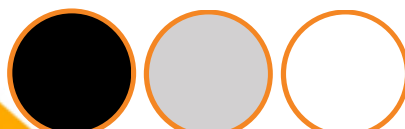
BAC LINEAR C & V



Characteristic	Technical Data
Dimensions	4" x 144" 6" x 144" 8" x 144"
Edge Profile	G-SHAPE
Perforation Design	Pattern BAC #43
Shape	Linear Panel
Noise Reduction Coefficient (NRC)	Perforated 0.75 Non-Perforated 0.10
Fire Resistance / Flame Spread	Class A
Light Reflective	0.83
Ceiling Attenuation Class (CAC)	Up to 40
Microbial & Humidity Resistance (RH)	Very High
Durability	Impact resistance
Maintainability	Washable / Scrubbable
Pattern	Perforated & Non-Perforated
Surface Finish	Polyester Powder Paint
ASTM Classification	Type III



Standard color:



black

grey

white

Specialty colors:



mahogany

light

oak

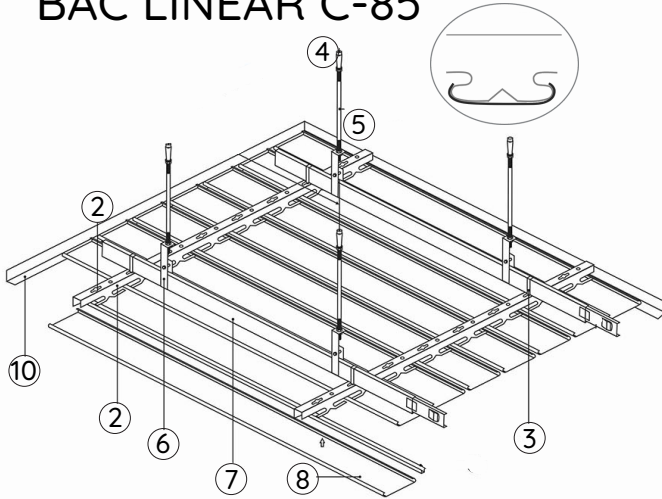
walnut

Specialty colors are subject to a 5,000 square foot minimum purchase. They have no guarantee on color.

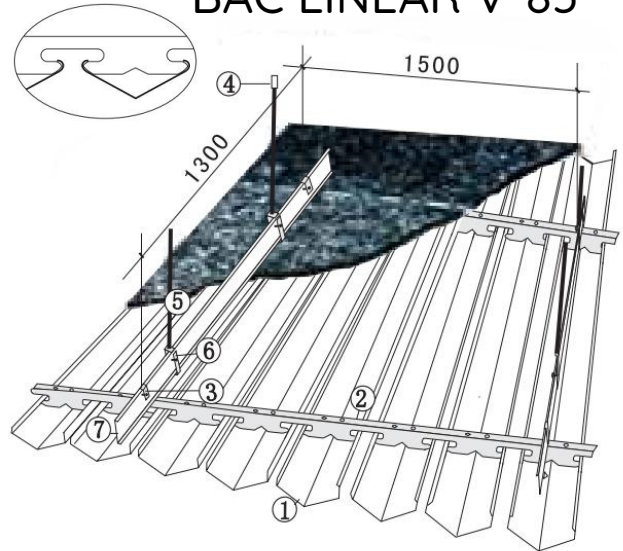
and more...

Suspension System

BAC LINEAR C-85

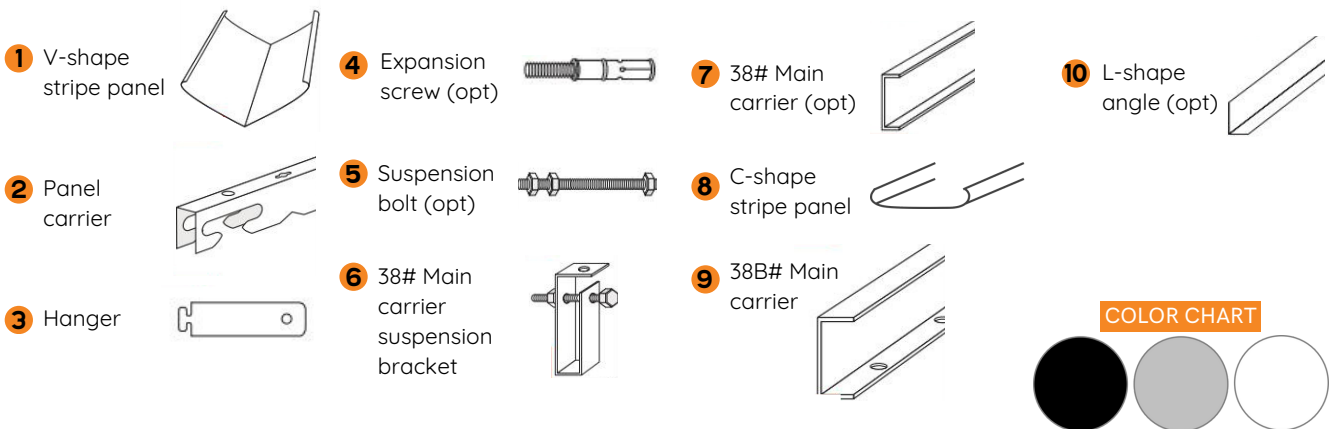


BAC LINEAR V-85



Code	Type	Dimension
C-85	38# GA.20 Rolled Channel	1 ½" x 144"
	G85 Panel Carrier	1 ½" x 120"
Wall Molding	L shape	7/8" x 7/8" x 142"

Code	Type	Dimension
V-85	38# GA.20 Rolled Channel	1 ½" x 144"
	V85 Panel Carrier	1 ½" x 120"
Wall Molding	L shape	7/8" x 7/8" x 142"



BENEFITS:

- Hot dipped galvanized coating inhibits red rusting better than electrogalvanized.
- System is engineered and designed to fit and provide high quality finish.
- Main Tee easy profile for installation with Cross Tee.
- Increased strength and stability for improved performance.
- Easy to cut.
- Rotary stitched for additional torsional strength and extra stability during installation.
- Faster and easier insertion/installation of cross tees.
- Tighter tee to tee connection.
- Better load carrying capability.